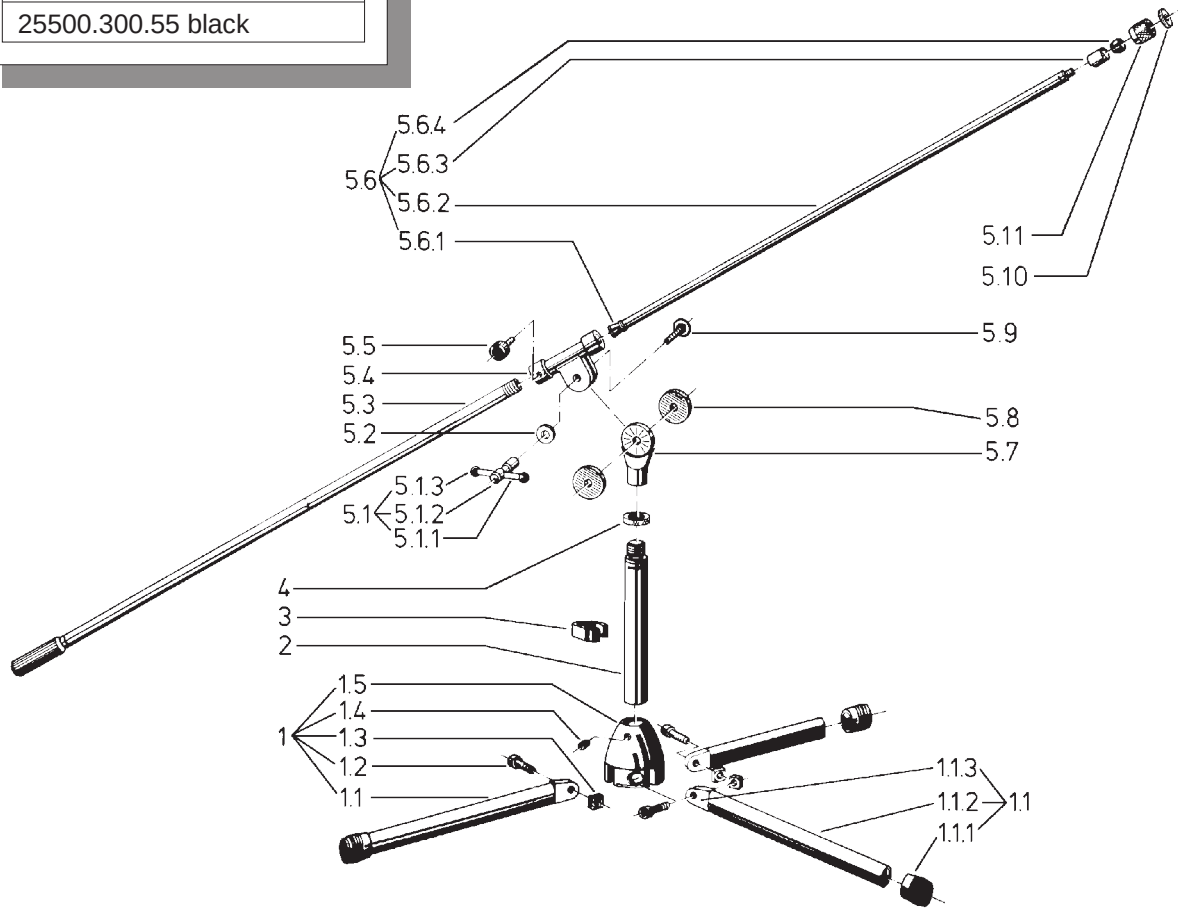


## 255 Microphone Stand

25500.300.02 chrome

25500.300.55 black



pos.	description	art.-no. chrome	art.-no. black	qty
1	base complete, consisting of:	7.255.000202	7.255.000255	1
1.1	leg complete, consisting of:	7.255.000102	7.255.000155	3
1.1.1	leg end cap	01.84.980.55	01.84.980.55	1
1.1.2	leg	01.03.861.02	01.03.861.55	1
1.1.3	connector joint	01.87.939.55	01.87.939.55	1
1.2	allen screw M5 x 36 mm	03.02.176.00	03.02.176.00	1
1.3	square nut M5	<a href="#">03.08.210.29</a>	<a href="#">03.08.210.29</a>	1
1.4	threaded locking pin M6 x 25 mm	03.04.315.00	03.04.315.00	1
1.5	socket	02.41.130.55	02.41.130.55	1
2	base rod with 3/8" thread	7.255.050602	7.255.050655	1
3	cable holder	<a href="#">01.85.970.55</a>	<a href="#">01.85.970.55</a>	1
4	aluminum threaded washer	03.31.530.00	03.31.555.15	1
5	boom-arm complete, consisting of:	7.255.030502	7.255.030555	1
5.1	T-bar screw assembly, consisting of:	7.211.000402	7.211.000455	1
5.1.1	double sided M5 threaded rod	02.30.310.02	02.30.310.15	1
5.1.2	locking nut M8	02.30.350.02	02.30.350.15	1
5.1.3	plastic ball for rod ends	03.22.510.55	03.22.510.55	2
5.2	steel washer	<a href="#">03.11.525.01</a>	<a href="#">03.11.525.01</a>	1
5.3	boom-arm rod	7.255.000702	7.255.000755	1
5.4	swivel connector	01.50.552.55	01.50.552.55	1
5.5	knurled knob M6 x 12 mm	<a href="#">01.82.828.55</a>	<a href="#">01.82.828.55</a>	1
5.6	boom-arm extension rod cpl., consisting of:	7.255.030402	7.255.030455	1
5.6.1	plastic end stop	01.85.070.55	01.85.070.55	1
5.6.2	extension rod with 3/8" thread	7.255.030302	7.255.030355	1
5.6.3	spacer sleeve	01.65.180.00		1
5.6.4	clamping ring	01.85.410.55	01.85.410.55	1
5.7	swivel head	<a href="#">02.40.440.55</a>	<a href="#">02.40.440.55</a>	1
5.8	rubber washer 3 mm thick	03.21.160.55	03.21.160.55	2
5.9	carriage bolt M8 x 30 mm	03.07.530.25	03.07.530.25	1
5.10	knurled round nut	<a href="#">03.31.525.00</a>	<a href="#">03.31.550.15</a>	1
5.11	knurled cap nut	02.30.220.02	02.30.220.00	1