

48-785 TELEGARTNER BNC 3G HD Male cable, crimp, 75 ohm, group J

48-775 TELEGARTNER BNC 3G HD Male cable, crimp, 75 ohm, group J (pack of 100)

Mechanical Characteristics:

Cable Group:	Canford	J	Telegartner	G4
Interface dimensions acc. to	EC 61169-8			
Mating life	>500			

Materials

Centre contact	CuZn39Pb3
Outer contact	CuZn39Pb3
Spring washer	CuBe2Pb
Other metal parts	CuZn39Pb3/GD-ZnAl4Cu1
Crimp ferrule	SF Cu w
Insulator	PTFE green (RAL 6001)
Gasket	Silicone

Finish

Cu1Ni2Au0.8
Cu2Ni5
Cu2Ni5/Zn/Cu6Ni6
Ni5

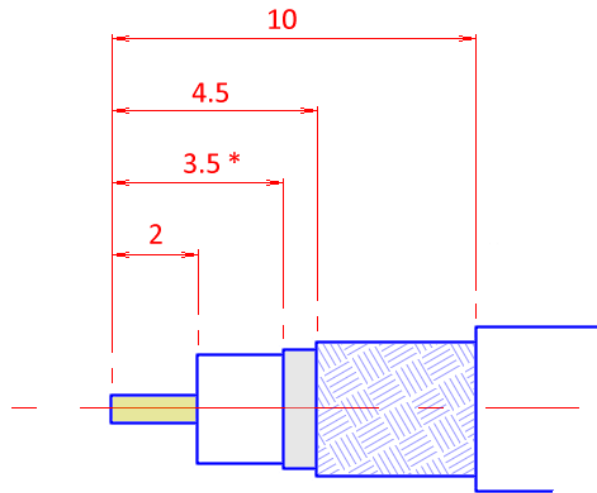
Electrical characteristics:

Impedance	75 Ω
Frequency	0-3 GHz
Typical return loss (cable dependent)	1 GHz 36 dB
	2 GHz 31 dB
	3 GHz 29 dB
Working voltage	≤ 500 V _{eff} / 50 Hz
Voltage proof	1.5 kV _{eff} / 50 Hz
Insulation resistance	≥ 5 GΩ
Centre contact resistance	≤ 20 mΩ
Outer contact resistance	≤ 5 mΩ

Environmental:

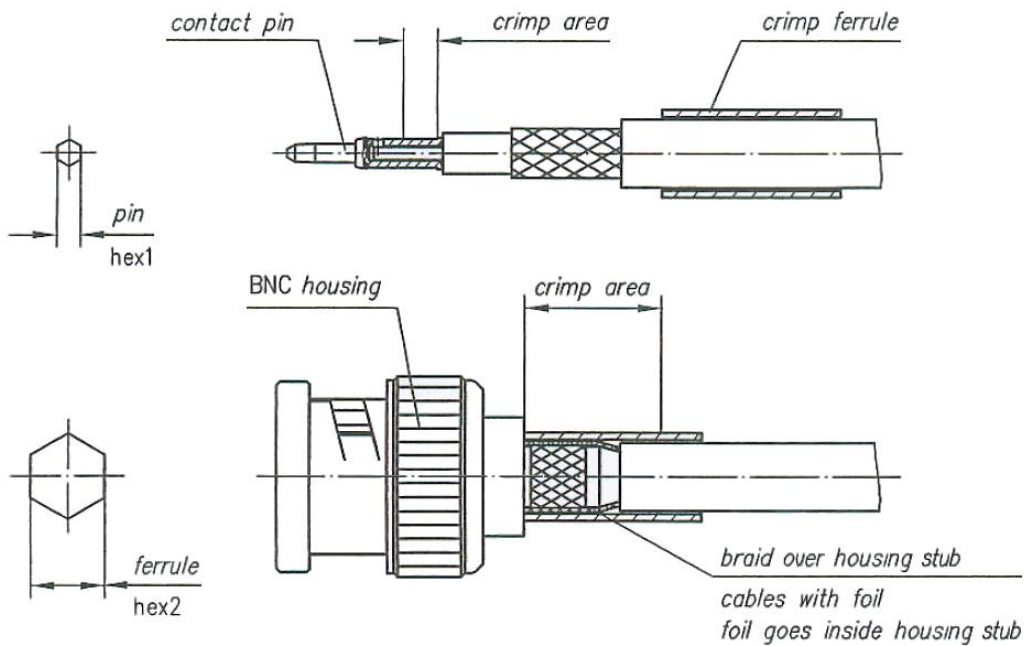
Operating temperature	-40°C to +85°C
RoHS compliant	2011/65/EU

Cable Prep:



All dims: mm
 Not to scale
 * To foil screen if present

Crimp Details:



Hex1	Pin	0.8
Hex2	Ferrule	3.25

Tooling: 55-3222 CANFORD COAXIAL CRIMP TOOL Red, for Telegartner BNC, cable groups J, Z